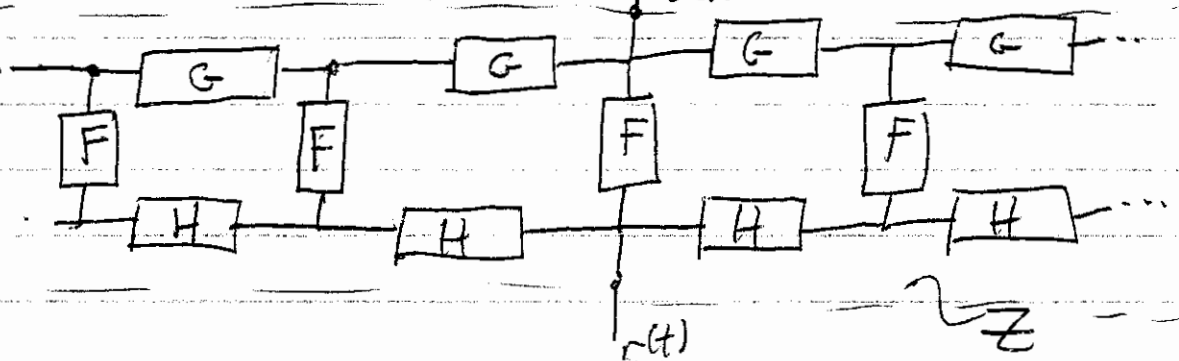


Fourier Analysis Application HW (8) - (12)



Above is a discrete model of a membrane or cable.

Find \hat{z} in terms of \hat{F} , \hat{G} , \hat{H} .

